

Technical Sheet

Cookers 750 EV Series Gas cookers and tops

Jemi Simply built to last

Professional Dishwashing
and Cooking Equipment

Selva de Mar, 122-128
08020 Barcelona, España
Tel. 0034 93 308 31 54
Fax. 0034 93 303 38 73
jemi@jemi.es
www.jemi.es

Mod. S721 EV

Characteristics

External dimensions 800 x 750 x 380 mm.

Weight 65 Kg.

Gas consumption Hi (15°C 1013,25 mbar)

Natural gas H G20 Hi = 34.02 MJ / m³ 1,22

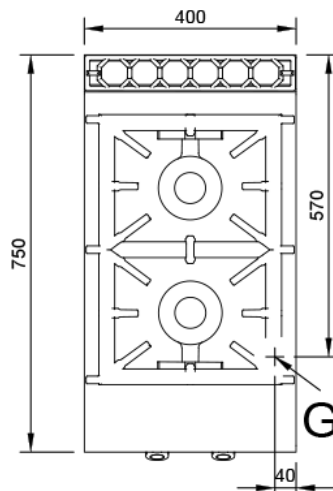
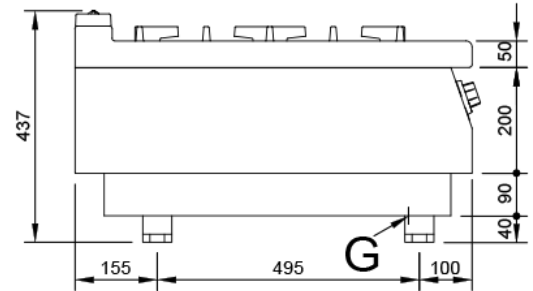
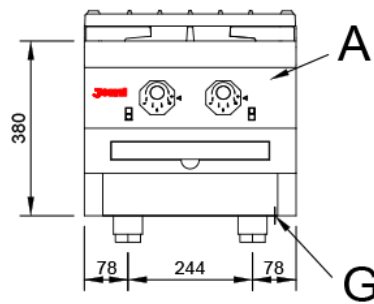
G.P.L. G30 / G31 Hi = 45.65MJ / kg 0,96

Burners 4 ø 120 mm.

Burner power ø 120 mm. 7,4 Kw. / 6.300 Kcal/h.

Gas inlet 3/4"

Nominal power 34,30 Kw.



Index

- A. Characteristics plate
(inside panel)
- G. Gas inlet 3/4".
Power: 14,8 Kw.
12.600 Kcal/h.

