

# Technical Sheet

## Cookers 750 EV Series Gas Pasta cookers

**Jemi** Simply built to last

Professional Dishwashing  
and Cooking Equipment

Selva de Mar, 122-128  
08020 Barcelona, España  
Tel. 0034 93 308 31 54  
Fax. 0034 93 303 38 73  
jemi@jemi.es  
www.jemi.es

### Mod. CPG70 EV

#### Characteristics

Externals dimensions 400 x 750 x 850 mm.

Weight 80 Kg.

Gas consumption Hi (15°C 1013,25 mbar)

Natural gas H G20 Hi = 34.02 MJ / m<sup>3</sup> 0,77

G.P.L. G30 / G31 Hi = 45.65MJ / kg 0,72

Tank dimensions 305 x 345 x 330 mm.

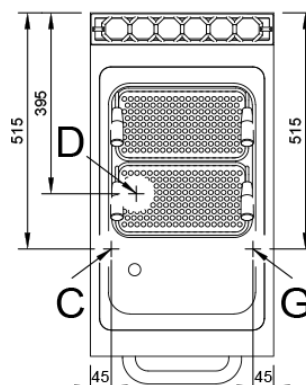
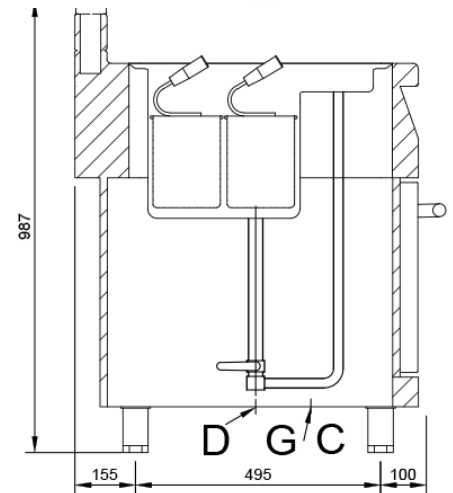
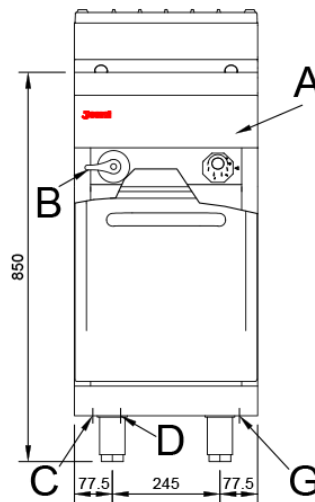
Tank capacity 27 litres

Nº baskets 2

basket dimensions 293 x 158 x 203 mm.

Gas inlet 3/4"

Nominal power 9,20 Kw.



#### Index

- A. Characteristics plate (inside panel)
  - B. Tap filled.
  - C. Water inlet 1/2".
  - D. Drain 1".
  - G. Gas inlet 3/4".
- Power: 9,20 Kw.  
7.912 Kcal/h.

